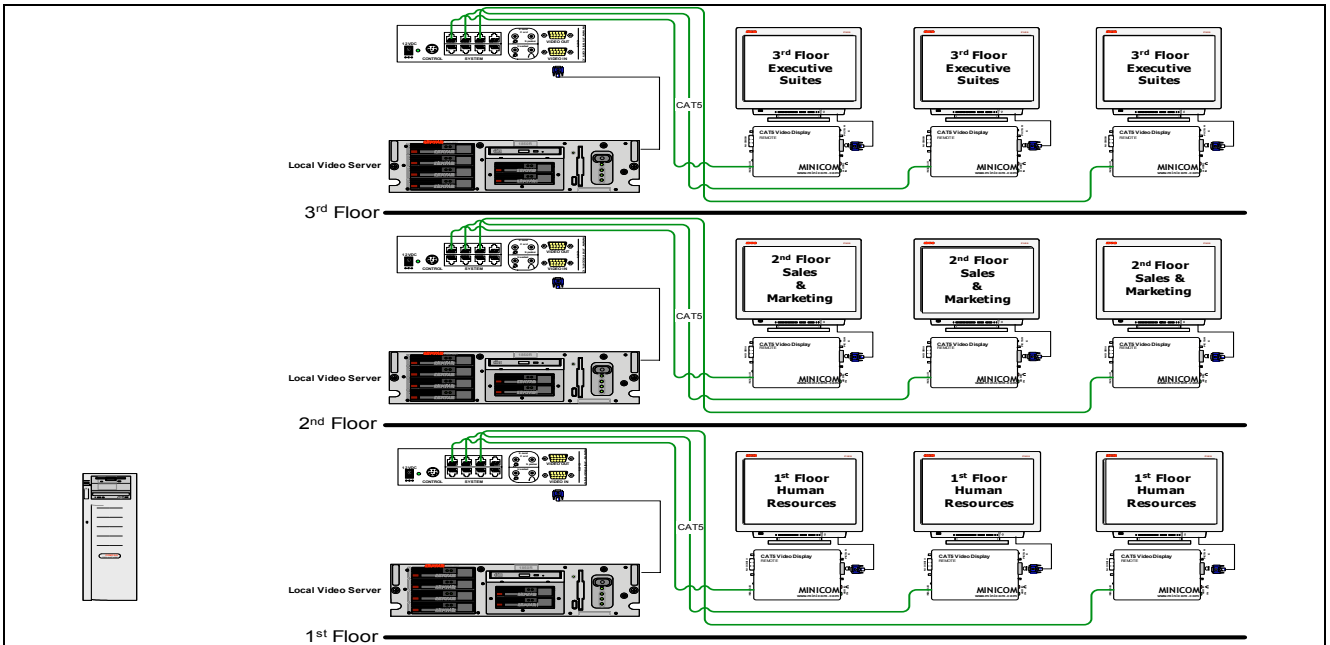


Title - Video Public Display System
No - 008

ENVIRONMENT	Public buildings, corporate buildings, malls, department stores
MINICOM PRODUCT	Video Display System (VDS)
CHALLENGE	A building supervisor would like to have public messages interrupt the individual floor messaging systems used on plasma screens located near elevator banks and conference rooms.
MINICOM SOLUTION	A VDS Broadcasting unit is connected to the output of the public broadcasting server and VDS Remote units are connected to the VDS system on each floor. When an operator wants to interrupt regular messages they simply use the VDS 'Dark All' feature or 'Master to All' feature on the Broadcasting unit, which sends a second video to the plasma screens.
BENEFITS	The plasma monitors can be 360ft away from the source computer. The system utilizes trim CAT5 cabling. The VDS allows each screen to have a native source but can interrupt it and input a second video source.

Before:



After:

